

VAP

Ball check valves

General characteristics

- structure in GJL-250 cast iron with rubber seals included
- sinking ball in NBR rubber
- sealing ensured by rubber on rubber contact
- stainless steel metal fasteners
- epoxy paint resistant to aggressive liquids
- full free passage
- easily removable cover for plant inspection
- can be installed in a horizontal or vertical position

Models

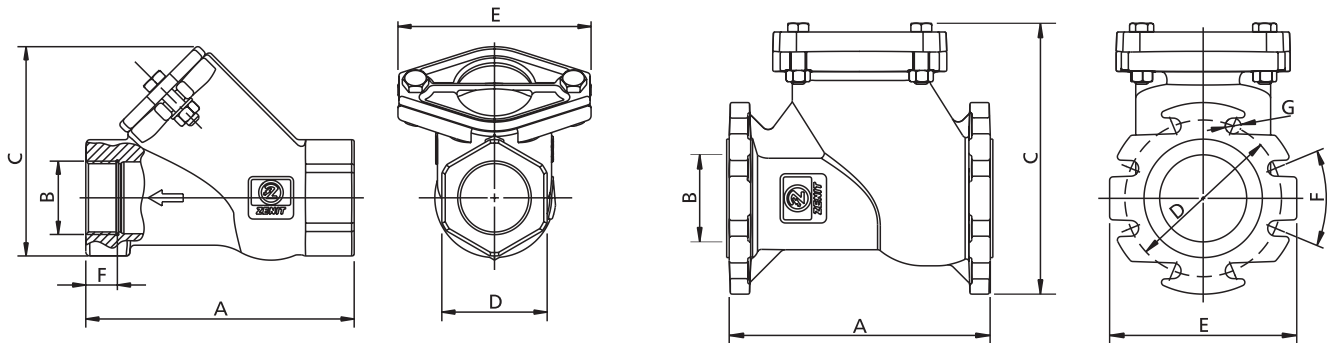
VAP/G32	GAS 1 1/4" thread
VAP/G40	GAS 1 1/2" thread
VAP/G50	GAS 2" thread
VAP/65	DN65 PN10-16 flanged
VAP/80	DN80 PN10-16 flanged
VAP/100	DN100 PN10-16 flanged
VAP/125	DN1125 PN10 flanged
VAP/150	DN150 PN10-16 flanged
VAP/200	DN200 PN10- flanged
VAP/250	DN250 PN10- flanged
VAP/300	DN300 PN10- flanged
VAP/350	DN350 PN10- flanged

Operating limits

Ambient temperature and treated liquid: 0 to +40°C
 pH of treated liquid: 6 ÷ 11
 Density of treated liquid: 1 kg/dm³

Contact Zenit if you have requirements that are outside the usage limits

Overall dimensions and weights



	A	B	C	D	E	F	G	kg	Packaging dimensions		
									A	B	C
VAP/G32	155	1 1/4"	120	60	110	20°	-	2	200	135	160
VAP/G40	155	1 1/2"	120	60	110	20°	-	1.9	200	135	160
VAP/G50	180	2"	150	72	115	25°	-	3	200	135	160
	A	B	C	D	E	F	G	kg	Packaging dimensions		
									A	B	C
VAP/65	240	65	220	145	185	90°	18	11	235	230	190
VAP/80	260	80	255	160	200	45°	18	14	320	280	190
VAP/100	300	100	310	180	220	45°	18	24.5	390	330	235
VAP/125	350	125	330	210	250	90°	19	33	-	-	-
VAP/150	400	150	425	240	285	45°	22	45	-	-	-
VAP/200	500	200	540	295	340	45°	22	90	-	-	-
VAP/250	600	250	630	350	395	30°	22	163	-	-	-
VAP/300	700	300	680	400	445	30°	22	230	-	-	-
VAP/350	800	350	830	460	505	22.5°	23	290	-	-	-

All weights and dimensions are indicative only

Dimensions in mm

The indication PN refers to the flange and not to the maximum operating pressure.



All product images are indicative only

The entire range of ball valves have "rubber on rubber" coupling (rubber ball; seal on rubber gaskets).

Advantages

- lower noise level
- possibility of easily restoring the coupling between ball and lip closure
- there is no need to purchase commercial gaskets for between the flanges

Reference standards

EN 12050-4, EN 12050-2, EN 12050-1, EN 1561, EN ISO 3506-1, EN ISO 3506-2, EN 10025, EN 1092-1, EN ISO 228-1, Directive 89/106/EEC